



PROJECT PLANS

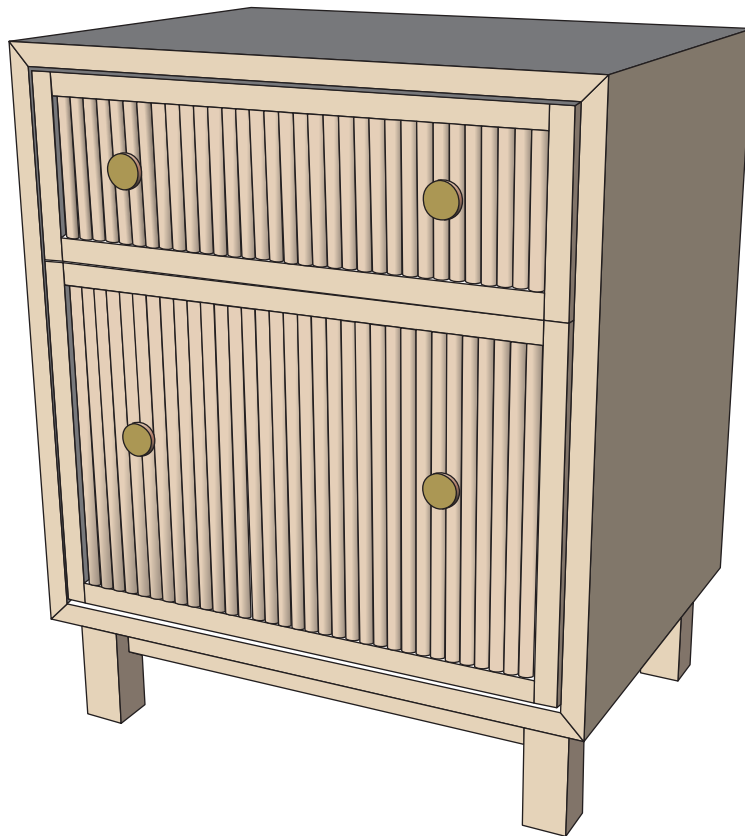
Fluted Bedside Table

Hey! Free Plans!

All I'm asking, is that you **SUBSCRIBE** to Bear Mountain Builds
I'd really appreciate it.

<https://www.youtube.com/c/BearMountainBuilds/featured>

Thanks!



LINK TO VIDEO:

<https://www.youtube.com/watch?v=wsZ4k8My4bY>

MATERIALS

2 - 1" x 3" x 8 foot Popular

1 - 4' x 8' x 3/4" Sanded Plywood

1 - 4' x 8' x 1/2" Sanded Plywood

1 - 4' x 8' x 1/4" Sanded Plywood

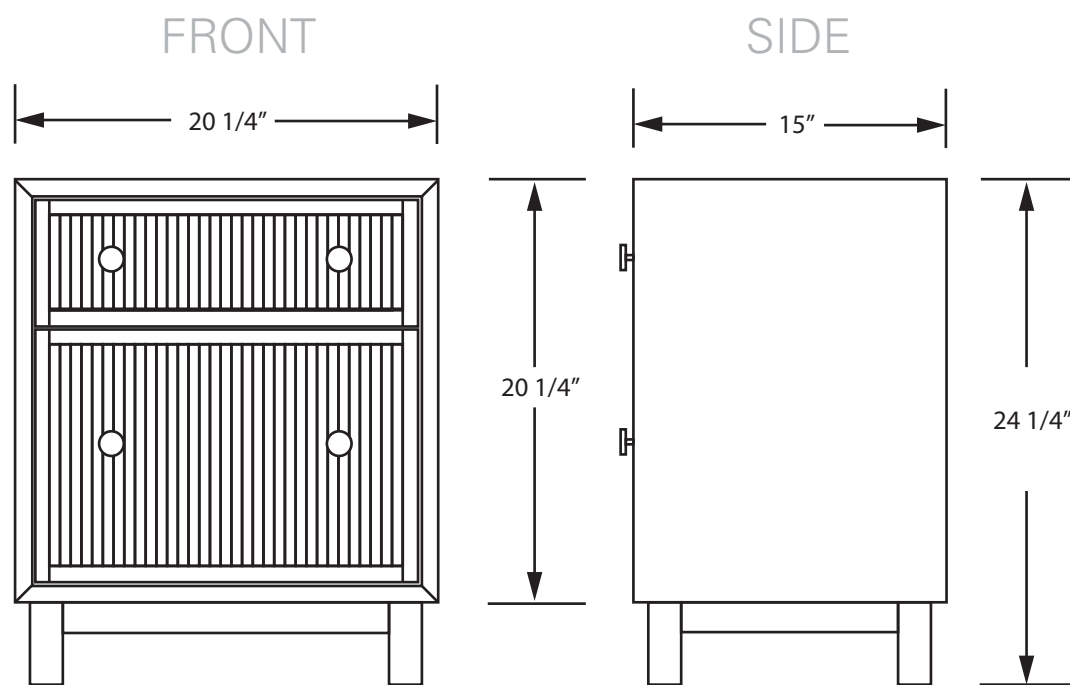
2 sets - 12" Soft-Close Drawer Slides

Split Wood Dowel Rods 36-inch x 1/2-inch

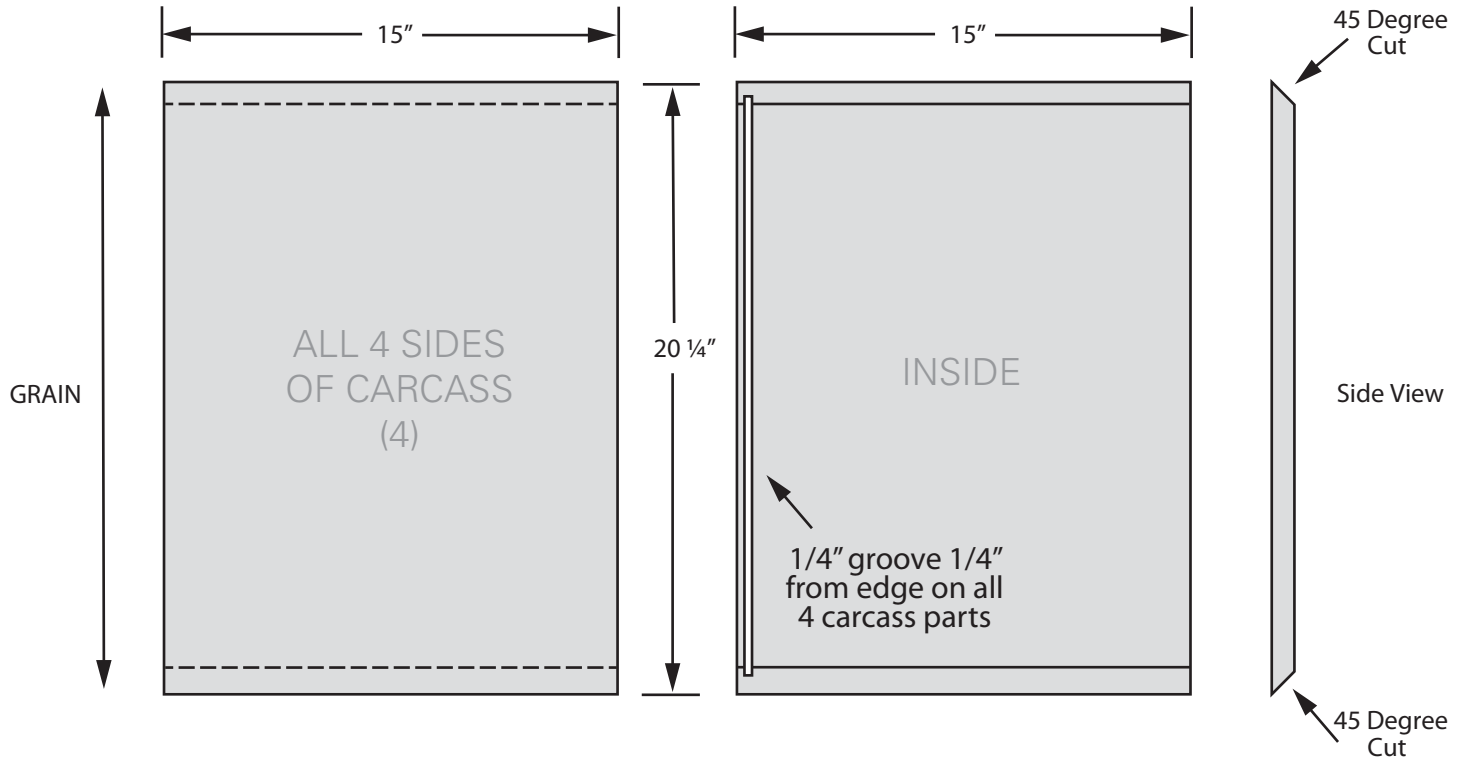
NOTE: You'll need at least 16 rods but may want to buy more so you can cut around any unattractive knot holes or issues in the wood.

Lots of 1 1/4" pocket screws

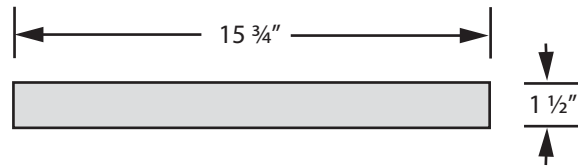
DIMENSIONS



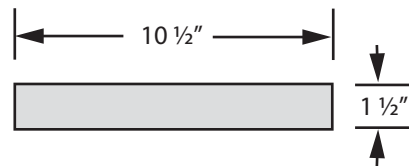
PARTS - 3/4" PLYWOOD



BASE - FRONT AND BACK STRETCHERS (2)



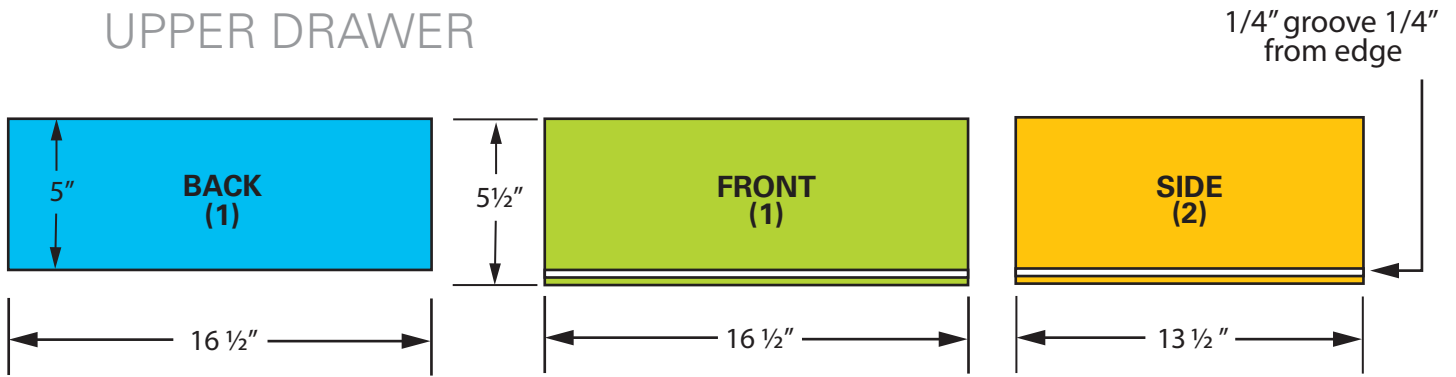
BASE - SIDE STRETCHERS (2)



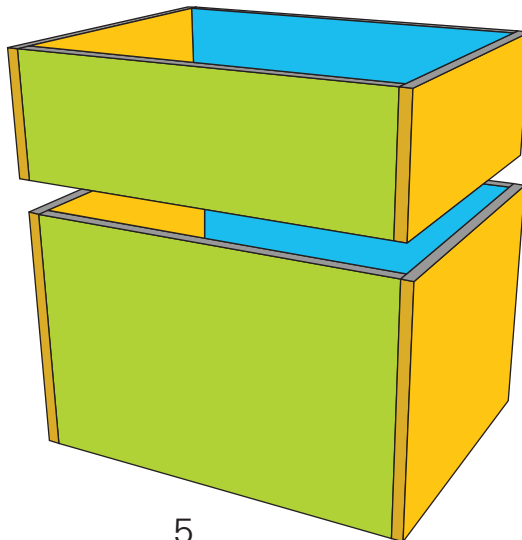
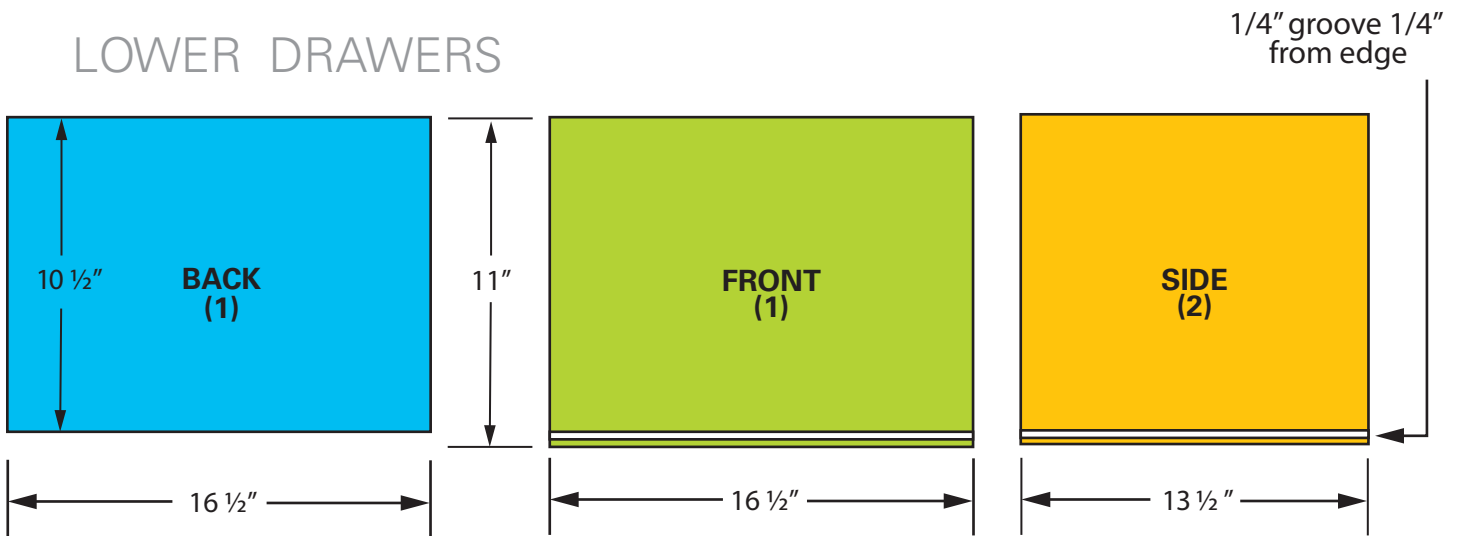
These plans are meant to work with my video and cover the details I left out of the video such as dimensions.

PARTS - 1/2" PLYWOOD

UPPER DRAWER

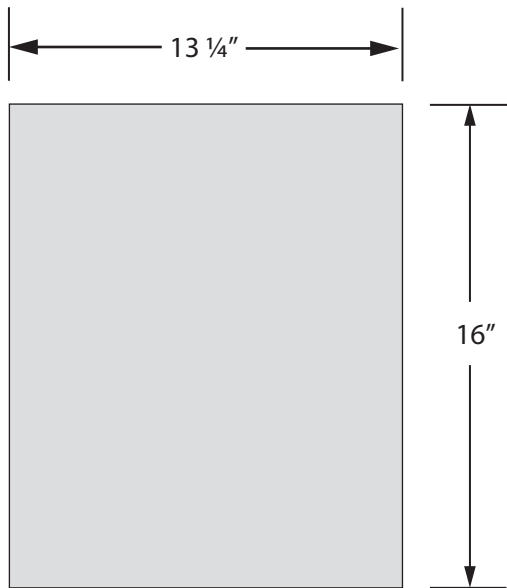


LOWER DRAWERS

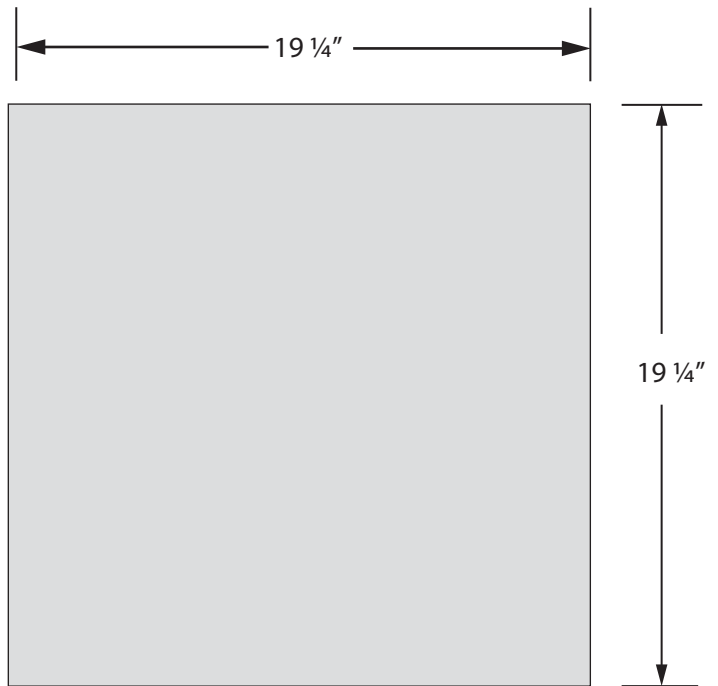


PARTS - 1/4" PLYWOOD

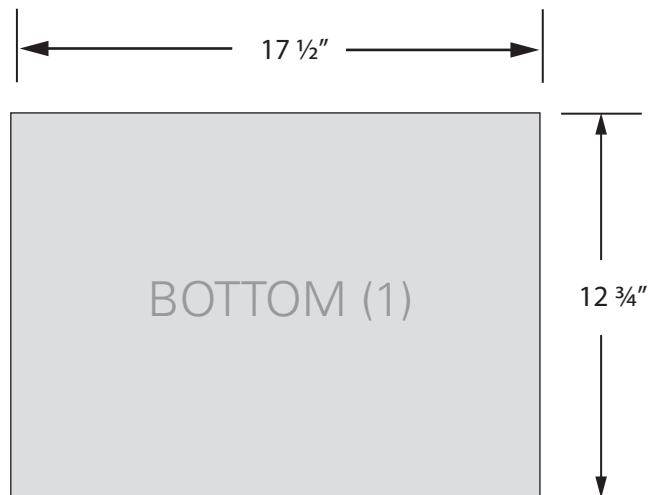
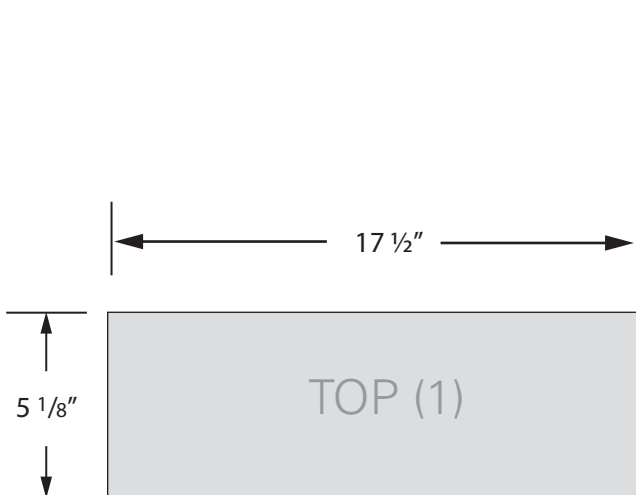
DRAWER BOTTOMS (2)



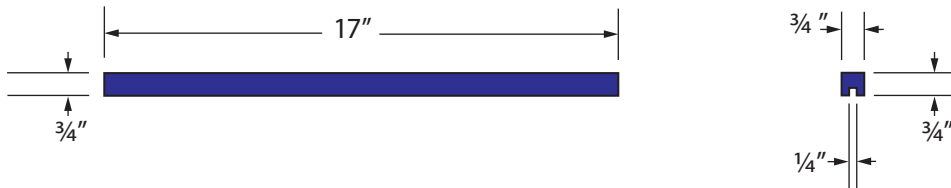
CARCASS BACK (1)



DRAWER FRONT CENTERS



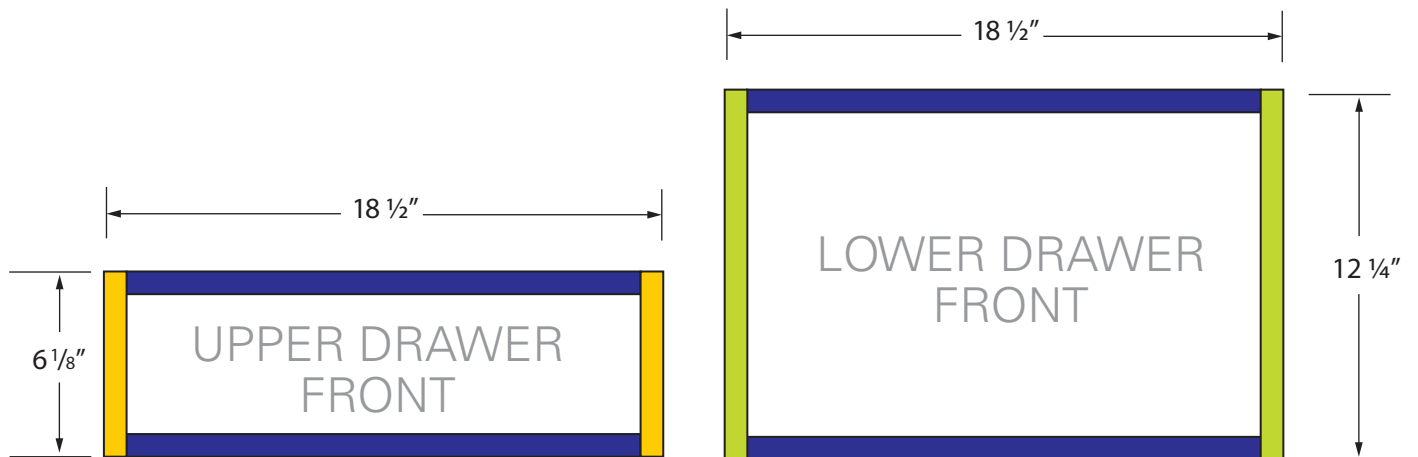
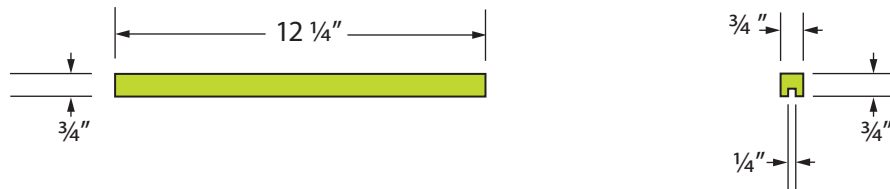
ALL DRAWER FRONT HORIZONTALS (4)



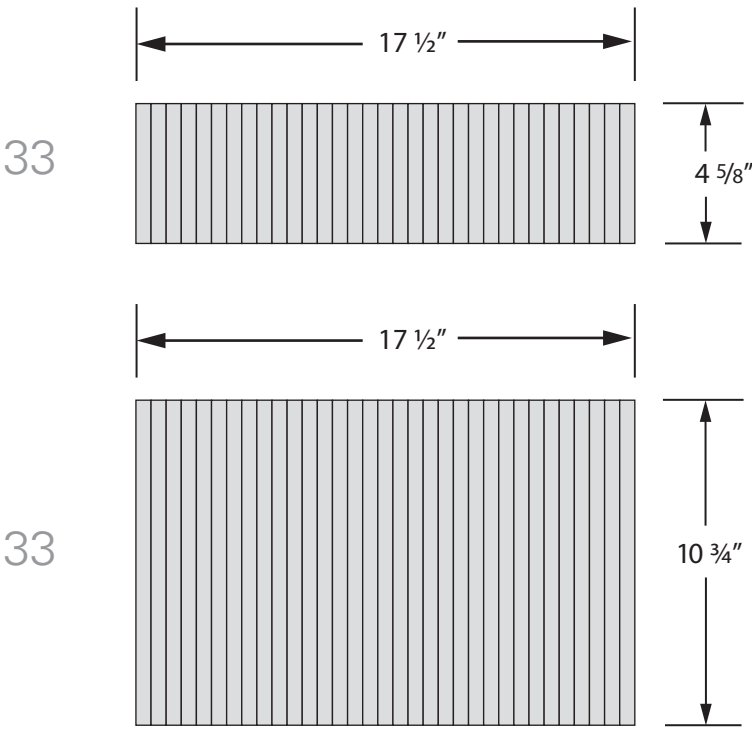
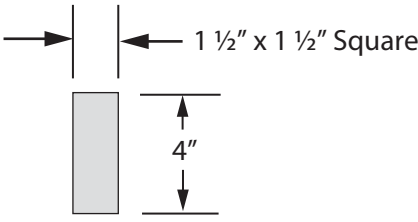
TOP DRAWER FRONT VERTICALS (2)

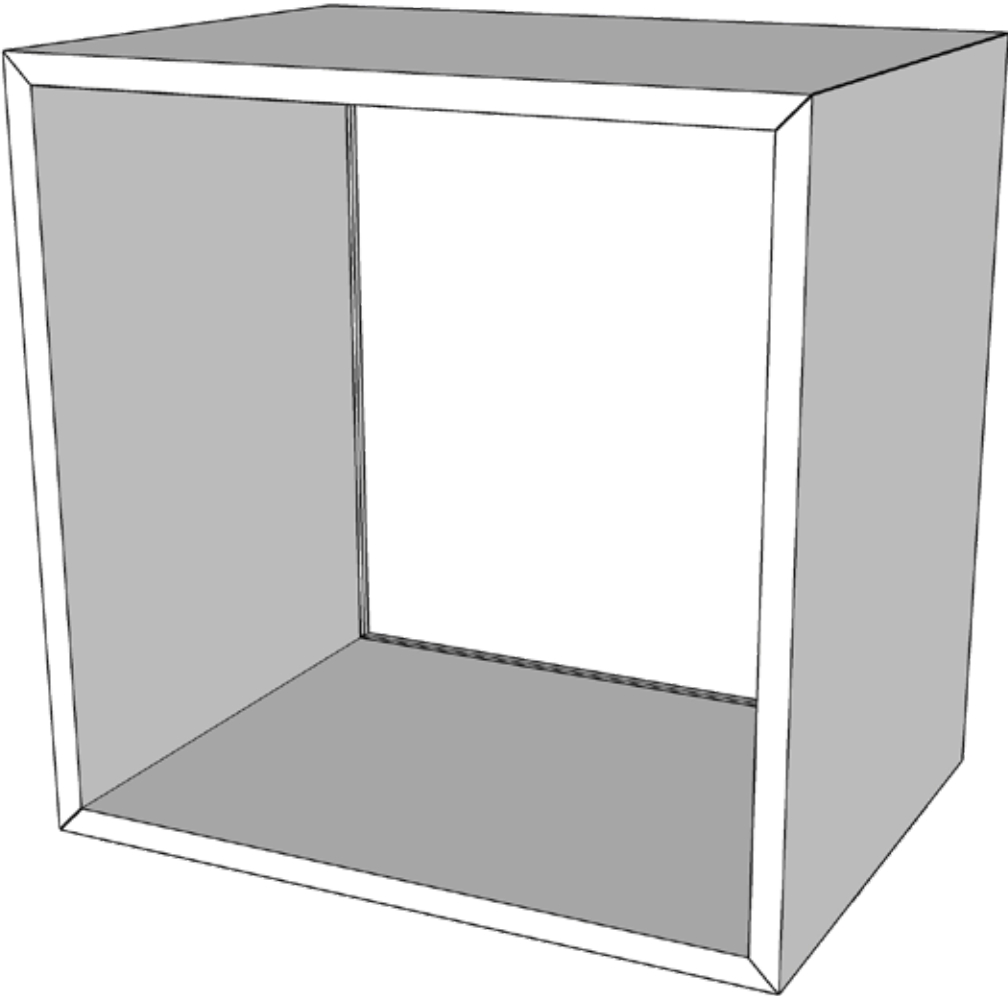


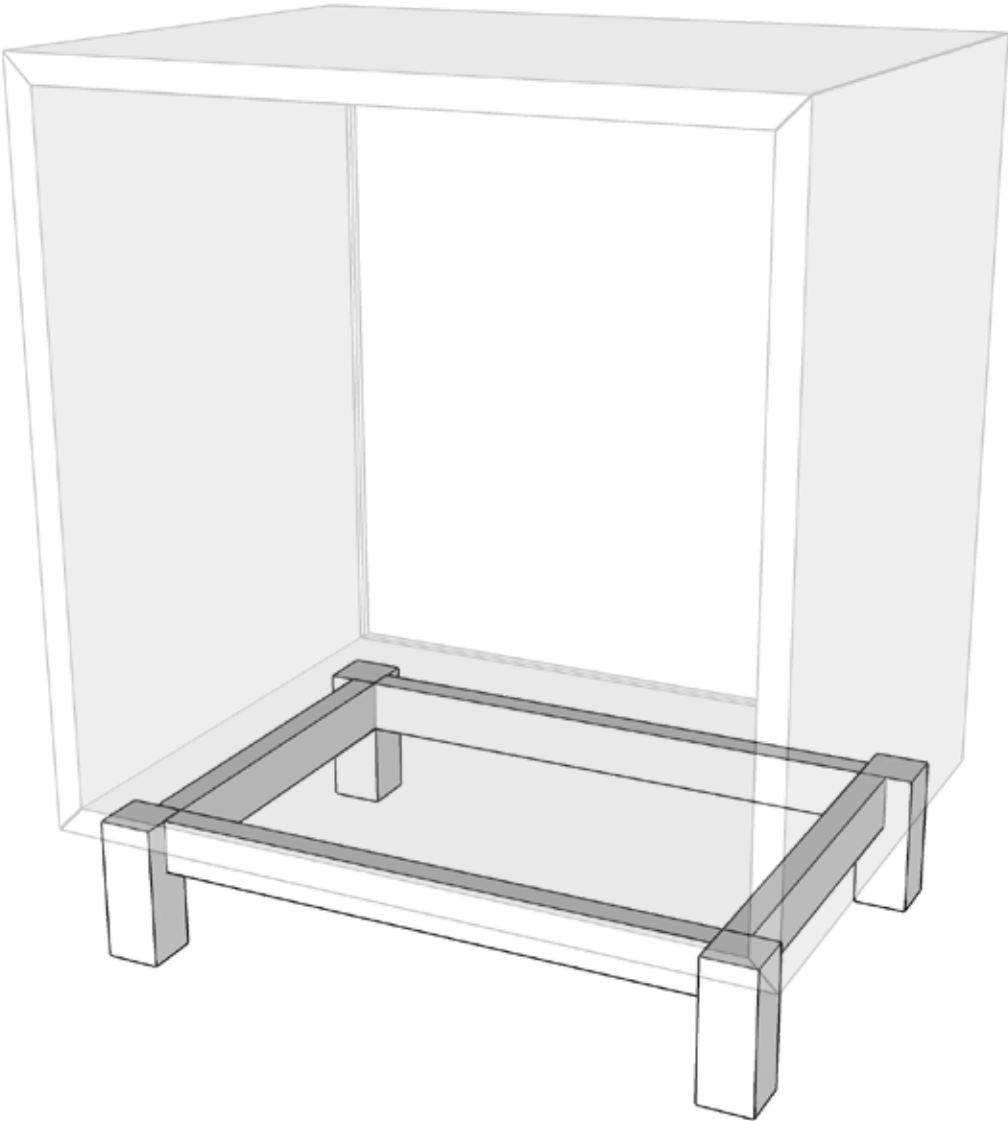
BOTTOM DRAWER FRONT VERTICALS (2)

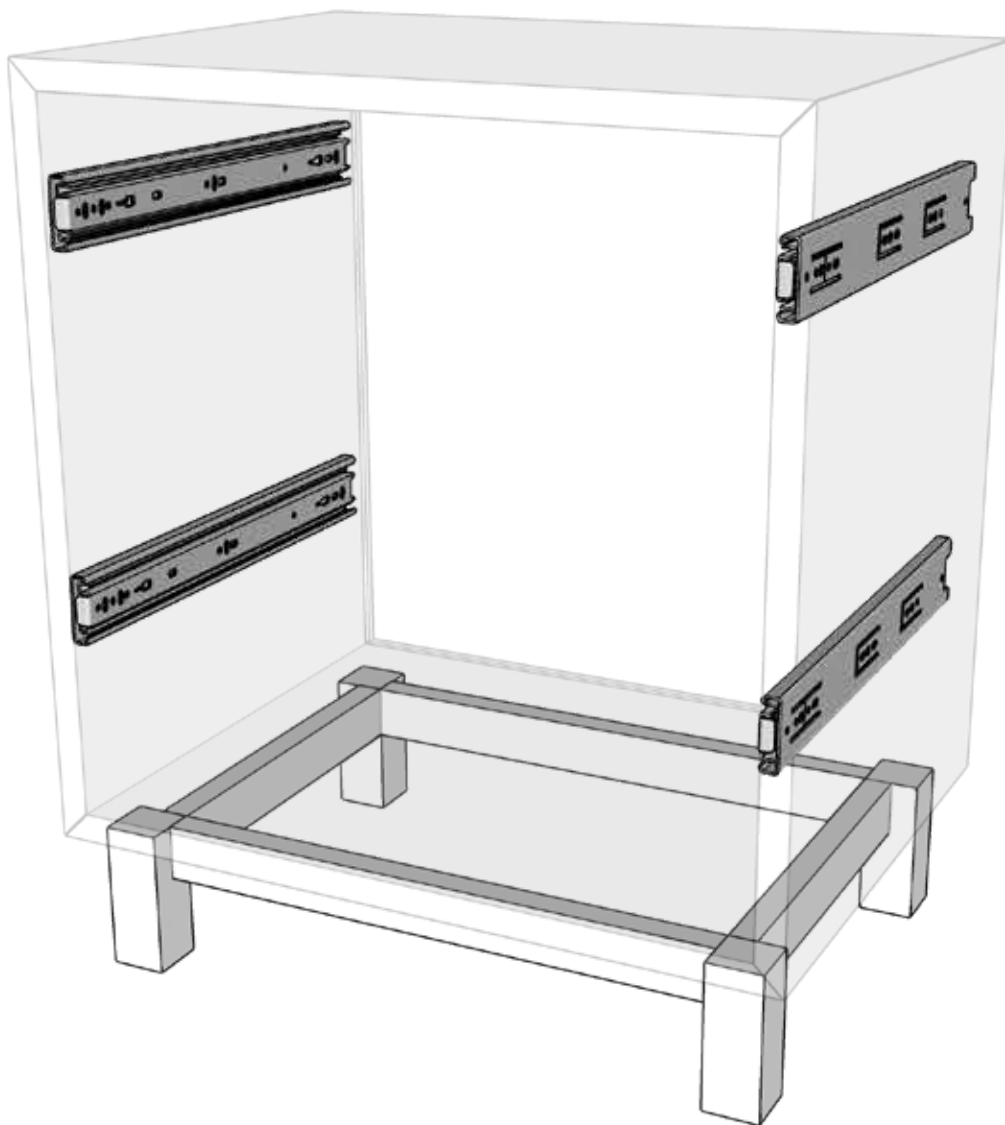


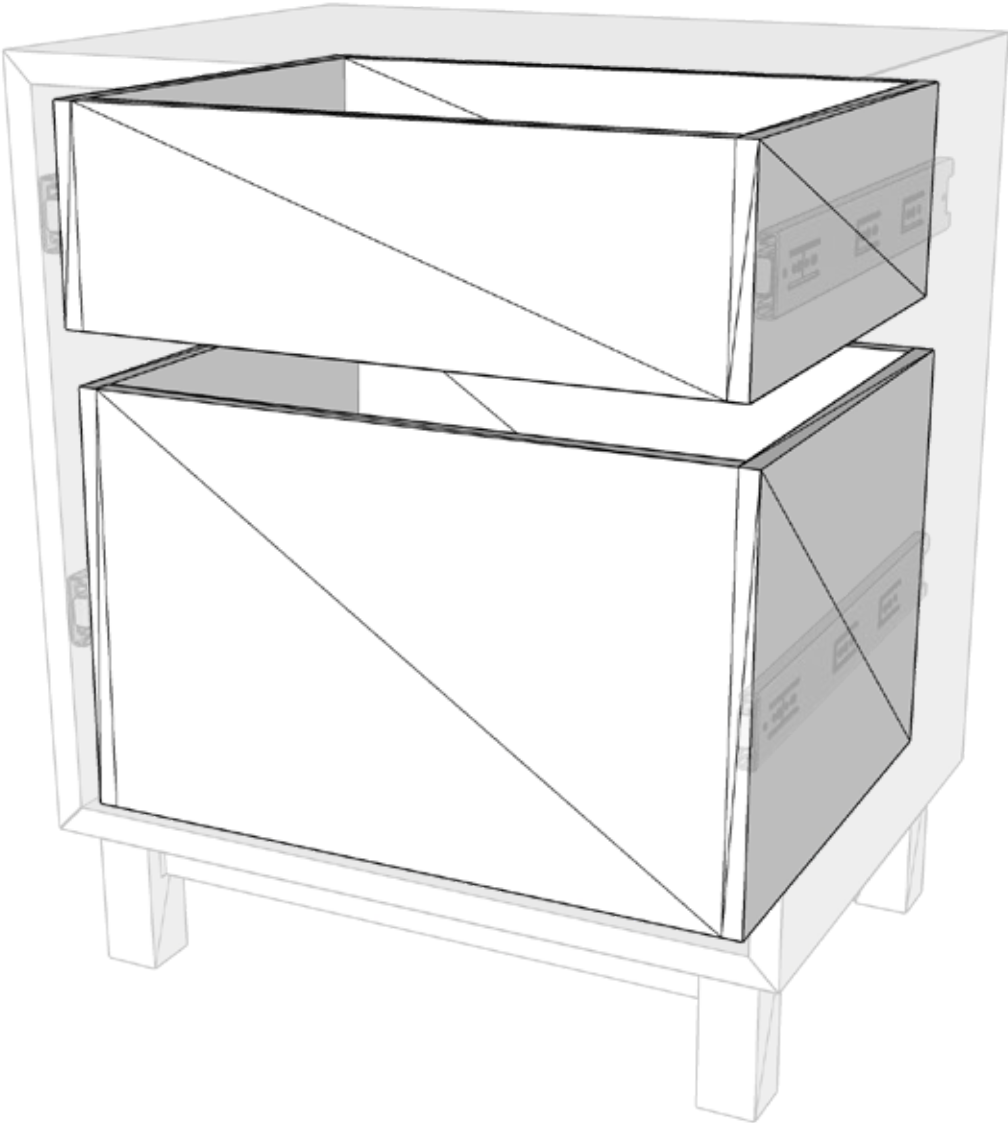
LEGS FOR BASE (4)

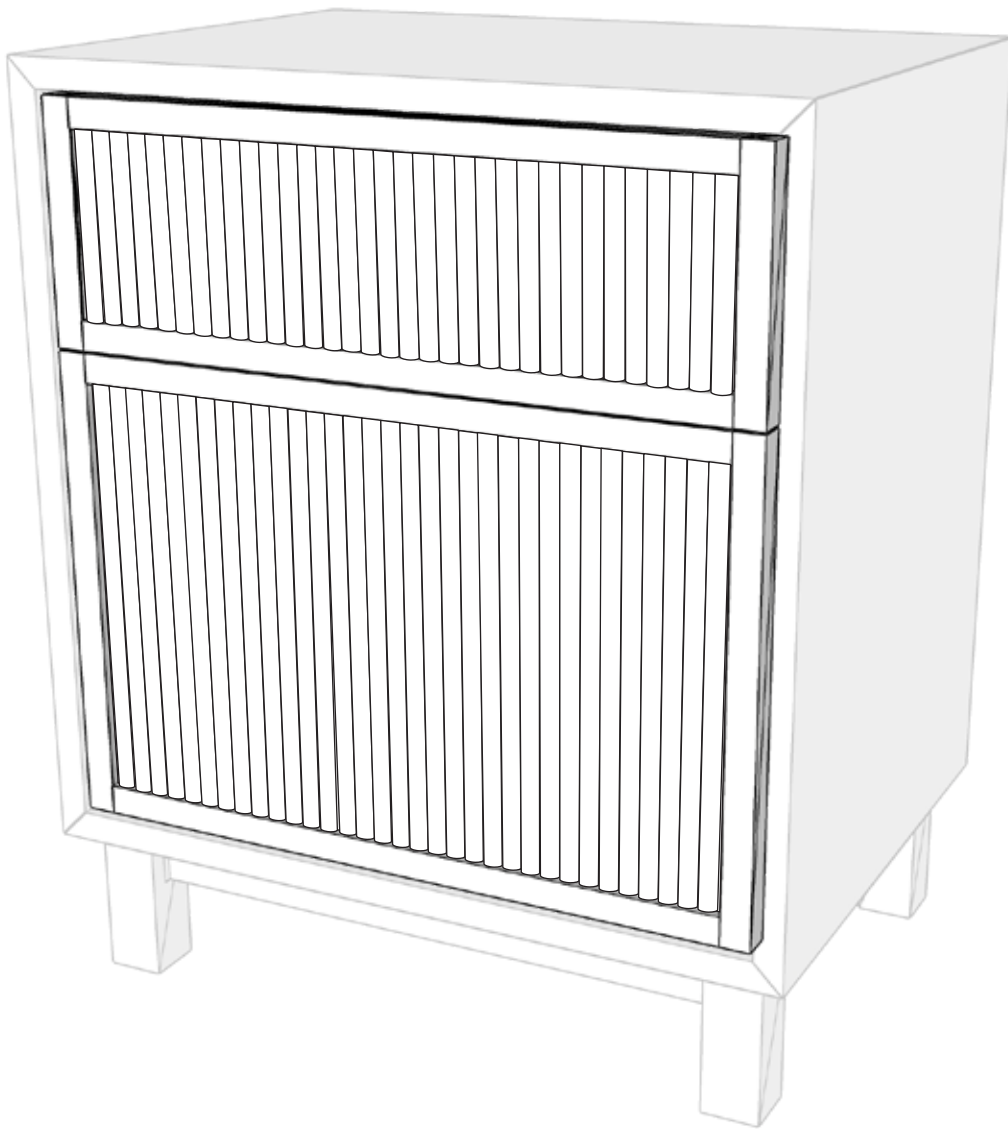
















YOU'RE DONE



LINK TO MORE OF MY VIDEOS:

<https://www.youtube.com/c/BearMountainBuilds/videos>